

AXIS
Management
IP

AXIS Camera

AXIS 가 (IP , HTTPS

AXIS Quality of Service
QoS

(IPv6) Internet Protocol version 6
IPv4

IEEE 802.1X

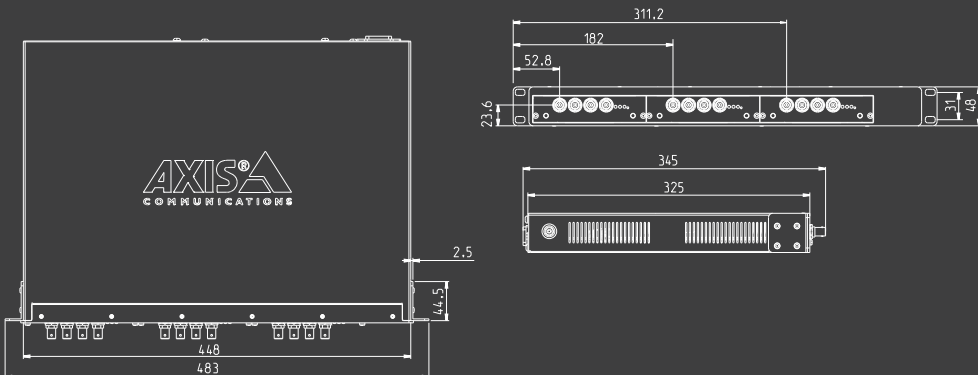


AXIS BLADE VIDEO SERVERS

Product Selection Guide

			(fps)		/	PTZ	HTTPS
240Q Blade	4	Motion JPEG	6/5 fps (all resolutions) using all 4 channels	Yes	4 / 4	Yes	Yes
241Q Blade	4	Motion JPEG	30/25 fps (CIF) using all 4 channels 30/25 fps (4CIF) using 1 channel	Yes	4 / 4	Yes	Yes
		MPEG-4	20/17 fps (CIF) using all 4 channels 30/25 fps (2CIF) using 1 channel				
241S Blade	1	Motion JPEG	30/25 fps (4CIF)	Yes	4 / 4	Yes	Yes
		MPEG-4	30/25 fps (2CIF)				
243Q Blade	4	Motion JPEG	30/25 fps (4CIF) using all 4 channels	Yes	4 / 4	Yes	Yes
		MPEG-4	30/25 fps (4CIF) using all 4 channels				

DIMENSIONS



TECHNICAL SPECIFICATIONS – AXIS 243Q BLADE VIDEO SERVER

Video compression	Motion JPEG MPEG-4 Part 2 (ISO/IEC 14496-2), Profiles: ASP and SP	Operating conditions	0 - 45 °C (32 - 113 °F) Humidity 20 - 80% RH (non-condensing)
Resolutions	4CIF, 2CIFExp, 2CIF, CIF, QCIF Max 704x480 (NTSC) 704x576 (PAL) Min 160x120 (NTSC) 176x144 (PAL)	Installation, management and maintenance	AXIS Camera Management tool on CD and web-based configuration Configuration of backup and restore Firmware upgrades over HTTP or FTP, firmware available at www.axis.com
Frame rate (NTSC/PAL)	Up to 30/25 per channel in all resolutions (Motion JPEG or MPEG-4)	Video access from Web browser	Camera live view for up to 20 clients, Video recording to file (ASF), Sequence tour for up to 20 PTZ presets Customizable HTML pages
Video streaming	Simultaneous Motion JPEG and MPEG-4 Controllable frame rate and bandwidth Constant and variable bit rate (MPEG-4)	Minimum Web browsing requirements	Pentium III CPU 500 MHz or higher, or equivalent AMD 128 MB RAM, AGP graphics card 32 MB RAM, Direct Draw Windows XP, 2000, DirectX 9.0 or later Internet Explorer 6.x or later For other operating systems and browsers see www.axis.com/techsup
Image settings	Compression levels: 11 (Motion JPEG) /23 (MPEG-4) Rotation: 90°, 180°, 270° Aspect ratio correction Color: color, black & white Overlay capabilities: time, date, text, image or privacy mask De-interlace filter	System integration support	Open API for application integration, including AXIS VAPIX API*, AXIS Media Control SDK*, event trigger data in video stream Quality of Service (QoS) Layer 3, DiffServ Model Watchdog ensures continuous operation, event notifications can be monitored by other systems Embedded Linux operating system <i>* Available at www.axis.com</i>
Pan/Tilt/Zoom	A wide range of analog PTZ dome cameras is supported, free drivers available at www.axis.com 20 presets/camera, Guard tour, PTZ control queue Supports Windows compatible joysticks	Supported protocols	IPv4/v6, HTTP, HTTPS, SSL/TLS*, TCP, QoS, SNMPv1/v2c/v3 (MIB-II), RTSP, RTP, UDP, IGMP, RTCP, SMTP, FTP, ICMP DHCP, UPnP, Bonjour, ARP, DNS, DynDNS, SOCKS, IEEE802.1X. More information on protocol usage available at www.axis.com <i>*This product includes software developed by the Open SSL Project for use in the Open SSL Tool kit (www.openssl.org)</i>
Security	Multiple user access levels with password protection IP address filtering, HTTPS encryption, IEEE 802.1X authentication	Included accessories	Installation Guide, CD with installation and management tools, software and User's Manual, MPEG-4 licenses (1 encoder, 1 decoder), MPEG-4 decoder (Windows)
Alarm and event management	Events triggered by video motion detection, external inputs or according to a schedule Image upload over FTP, email and HTTP Notification over TCP, email, HTTP and external outputs Pre- and post alarm buffer of 9 MB per channel (approx. 4 min of CIF resolution video at 4 frames per second)	Video management software (not incl.)	AXIS Camera Station - Surveillance application for viewing and recording from up to 25 cameras See www.axis.com/partner/adp_partners.htm for further applications via partners
Connectors	4 BNC analog composite video inputs, NTSC/PAL autosensing Via AXIS 291 1U Video Server Rack: Ethernet 10BaseT/100BaseTX/1000BaseT (Gigabit Ethernet) 4 alarm inputs, 4 alarm outputs, RS-485/422 half-duplex port	Approvals	EN 61000-6-1, EN 61000-6-2, EN 55024, EN 55022 Class B EN 61000-3-2, EN 61000-3-3, FCC Part 15 Subpart B Class B, AS/NZS CISPR 22, ICES-003, VCCI Class B, ITE EN 60950-1
Processors, memory and clock	CPU: 4 ETRAX 100LX 32bit Video processing and compression: 4 ARTPEC-2 RAM: 4x32 MB Flash: 4x8 MB Battery backed up real-time clock	Dimensions (HxWxD) and weight	30 x 130 x 255 mm (1.2 x 5.1 x 10.0") 270 g (0.6 lbs)
Power	Powered from AXIS 291 1U Video Server Rack		

28263/EN/R2/0701

TECHNICAL SPECIFICATIONS – AXIS 291 1U VIDEO SERVER RACK

Expansion slots	3 slots for Axis blade video servers	Operating conditions	0 - 45 °C (32 - 113 °F) Humidity 20 - 80% RH (non-condensing)
Connectors	Ethernet 10BaseT/100BaseTX/1000BaseT (Gigabit Ethernet), RJ-45 Terminal block (x 3): 4 alarm inputs 4 outputs RS-485/422 half-duplex port	Included accessories	Installation Guide, mounting kit, AC power cable
Casing	Metal casing for standalone or rack mounting	Approvals	EN 61000-6-1, EN 61000-6-2, EN 55024, EN 55022 Class B, EN 61000-3-2, EN 61000-3-3 FCC Part 15 Subpart B Class B, AS/NZS CISPR 22, ICES-003, VCCI Class B, ITE, EN 60950-1, CB-certificate, UL, cUL, KTL
Power	100 - 240 V AC, 1.9 A max 80 W (with 3x243Q)	Dimensions (HxWxD) and weight	483 x 345 x 48 mm (19 x 13.6 x 1.9") including mounting brackets and blades 3.7 kg (8.2 lbs)

www.axis.co.kr